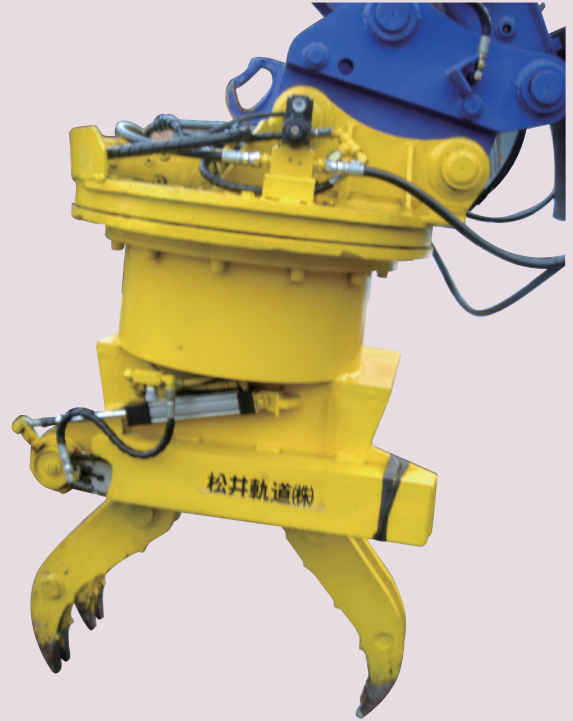


MTC-01

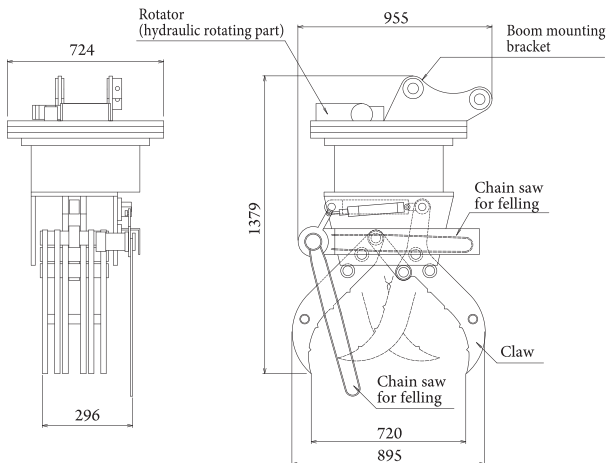
Chain saw cutter (tree felling machine)

Features Easy and safe felling using a power shovel

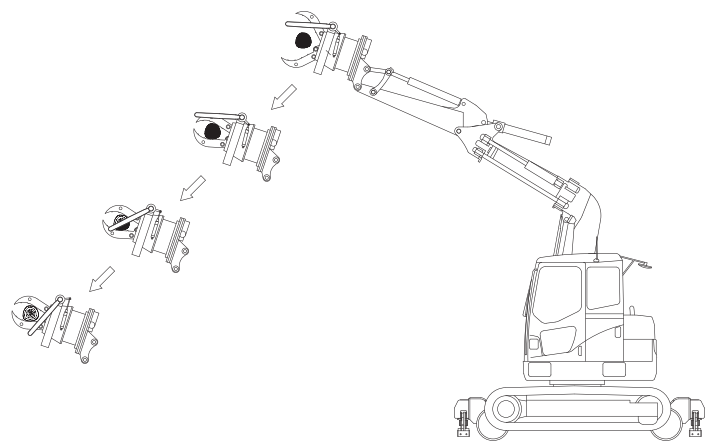
- The cutter installed on a power shovel ensures easy and quick felling of trees.
- Trees having a diameter of up to about 400 mm can be cut.
- Since cut branches can be held with the claws, you can work safely without worrying about accidents caused by drop of cut branches.



Major dimensions



Outline of felling work



Principal specifications

Item	MTC-01
Specifications	
Overall length × width × height (mm)	955×724×1,380
Max. diameter of tree to be cut (mm)	φ400
Total weight of body (kg)	560
Max. working hydraulic pressure (kgf/cm ²)	210
Applicable heavy equipment	Road-rail power shovel (applicable class: 0.25~0.45m ³)
Drive system	
Rotation of blade of chain saw for felling	Hydraulic motor
Swing of chain saw for felling	Hydraulic cylinder
Opening/closing of claw	Hydraulic cylinder
Swing rotator	Hydraulic motor/worm gear