

Disc cutters(grass cutter/tree trimmer)



Features

Grass cutting and tree trimming in high places and distant places by using heavy equipment

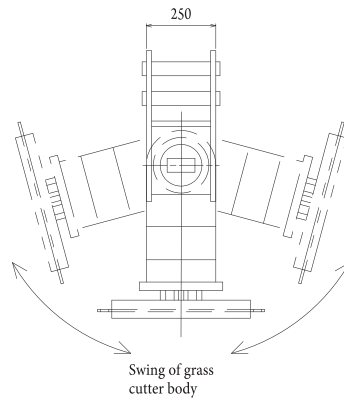
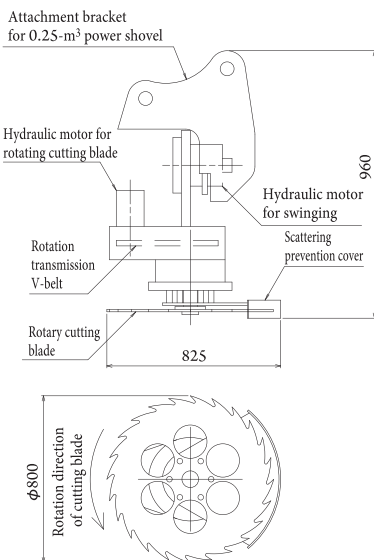
- The disc cutter installed at the end of a power shovel or a crane ensures easy and quick grass cutting and tree trimming in high places and distant places.
- The rotary blade can cut grass and lop branches off trees.
- The disc cutter can eliminate the necessity of working in dangerous high places and ensures safe and efficient work.



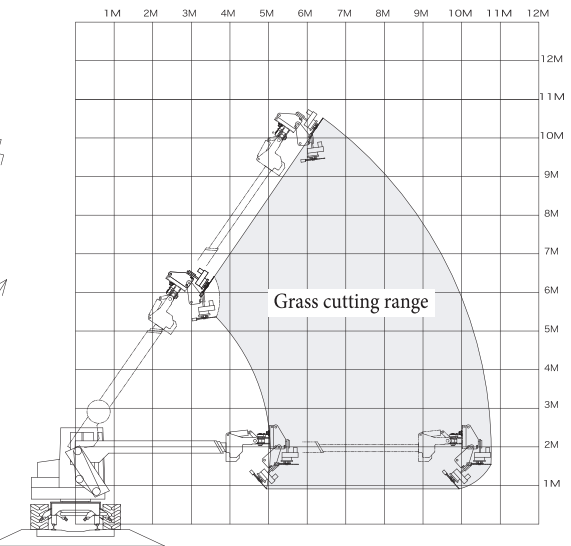
Examples of work



Major dimensions



Example of working range of disc cutter installed on crane



Principal specifications

Item	MGC-01
Specifications	
Overall length × width × height (mm)	960×825×800
Diameter of rotary blade (mm)	φ800
Total weight of body (kg)	175
Number of rotations of rotary blade (rpm)	900
Rotation direction of rotary blade	Only in one direction
Rotary blade rotating method	Hydraulic motor
Required amount of oil for hydraulic motor (ℓ/min)	35
Max. working hydraulic force of hydraulic motor (kgf/cm ²)	210
Body swing mechanism	The hydraulic motor for swinging can swing the rotary blade up to 80° to the right and left.
Applicable heavy equipment	Road-rail power shovel/crane (applicable class: 0.25~0.45m ³)