

MRB025

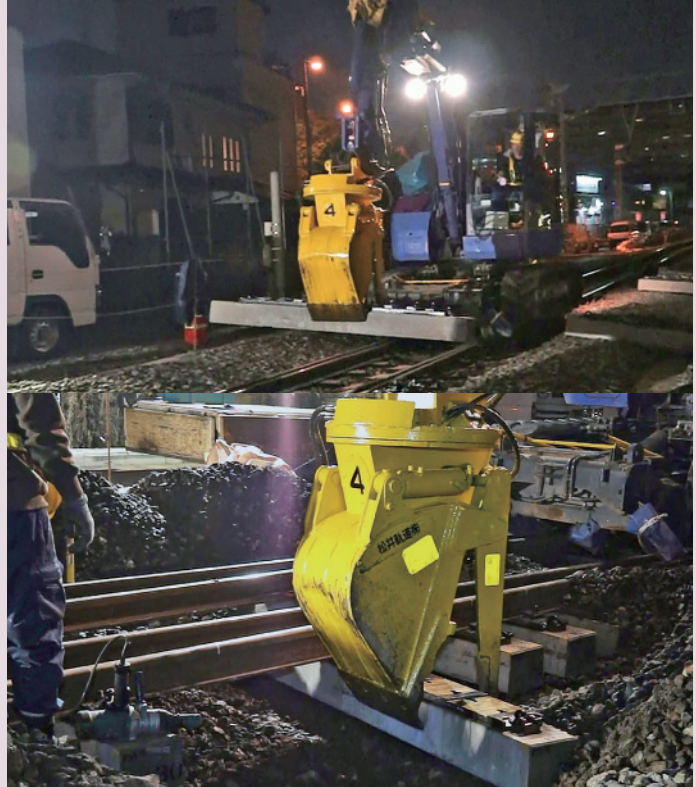
Rotating bucket



Features

Various kinds of works can be performed by installing the rotating bucket to a power shovel.

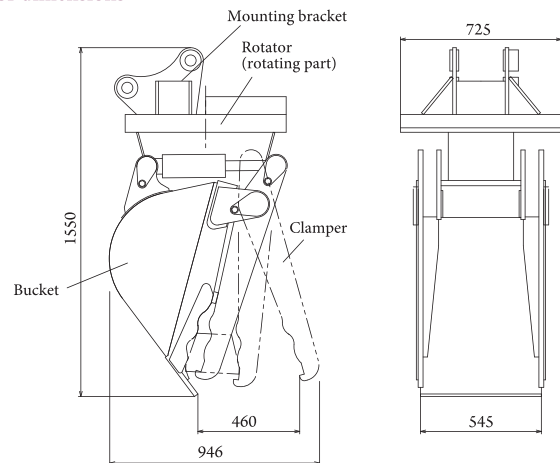
- With a power shovel equipped with the bucket, not only excavating work, but also removal and arrangement of materials can be performed by using a clamper.
- Sleepers can be clamped without being damaged by the unique shape of the clamper end and the clamping force retaining function.
- The large-capacity rotator is capable of swinging heavy articles and excavating hard ground.
- Useful in composite work, including removal and assembly of railroad switches.



Examples of work



Major dimensions



Principal specifications

Item	MRB025
Specifications	
Overall length X width X height (mm)	1,550×725×946
Bucket capacity (m ³)	0.15
Clamper end opening length (mm)	460
Max. clamping force at end (N)	32,000×2
Rotator rotational torque (N·m)	8,400
Max. working hydraulic pressure (kgf/cm ²)	210
Applicable heavy equipment	Road-rail power shovel(applicable class: 0.25m ³)
Drive system	
Clamper opening/closing	Hydraulic cylinder
Rotator rotation	Hydraulic motor/worm gear