

8 tool tie tamper attachment



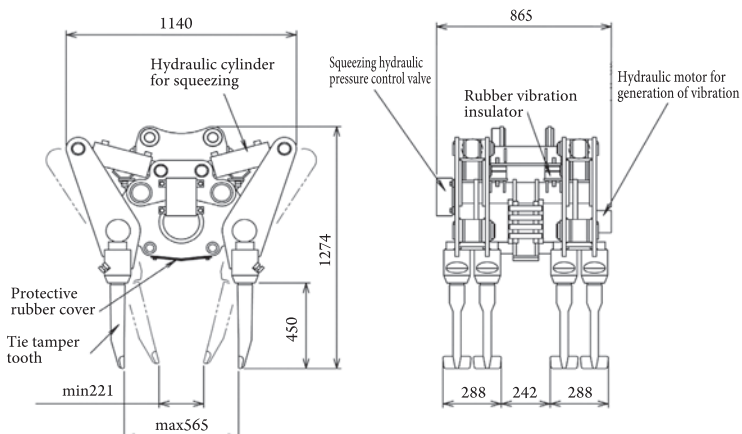
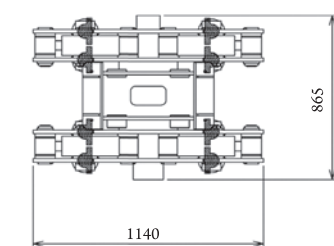
Features Easy track maintenance by using road-rail power shovel

- Tamping can be performed at a remarkably high efficiency by installing the attachment to a road-rail power shovel.
- Sufficient tamping effect can be obtained with the aid of the machine vibration, hydraulic power and special tie tamper teeth.
- A road-rail power shovel can be used for various purposes, thereby reducing the operating time.

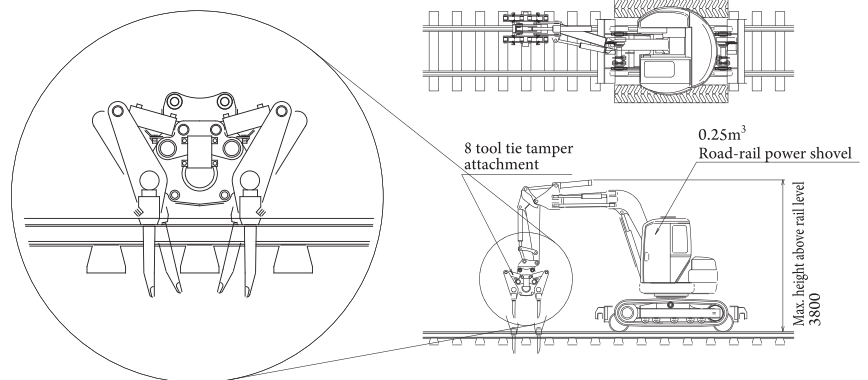
Examples of work



Major dimensions



Outline of construction



Principal specifications

Item	MTPA080H
Specifications	
Overall length × width × height (mm)	1,140×865×1,275
Total weight of body (kg)	950
Construction method	Tamping of sleepers one by one under one of rails
Max. tamping depth (mm)	Approx. 250 deep from underside of sleeper
Vibration force (N)	34,000
Vibration frequency (Hz)	30~35
Amplitude (mm)	3.0
Min. required amount of oil (ℓ/min)	35+50
Max. working hydraulic pressure (kgf/cm ²)	210
Applicable heavy equipment	Road-rail power shovel (applicable class: 0.25m ³ , with boom offset mechanism)